

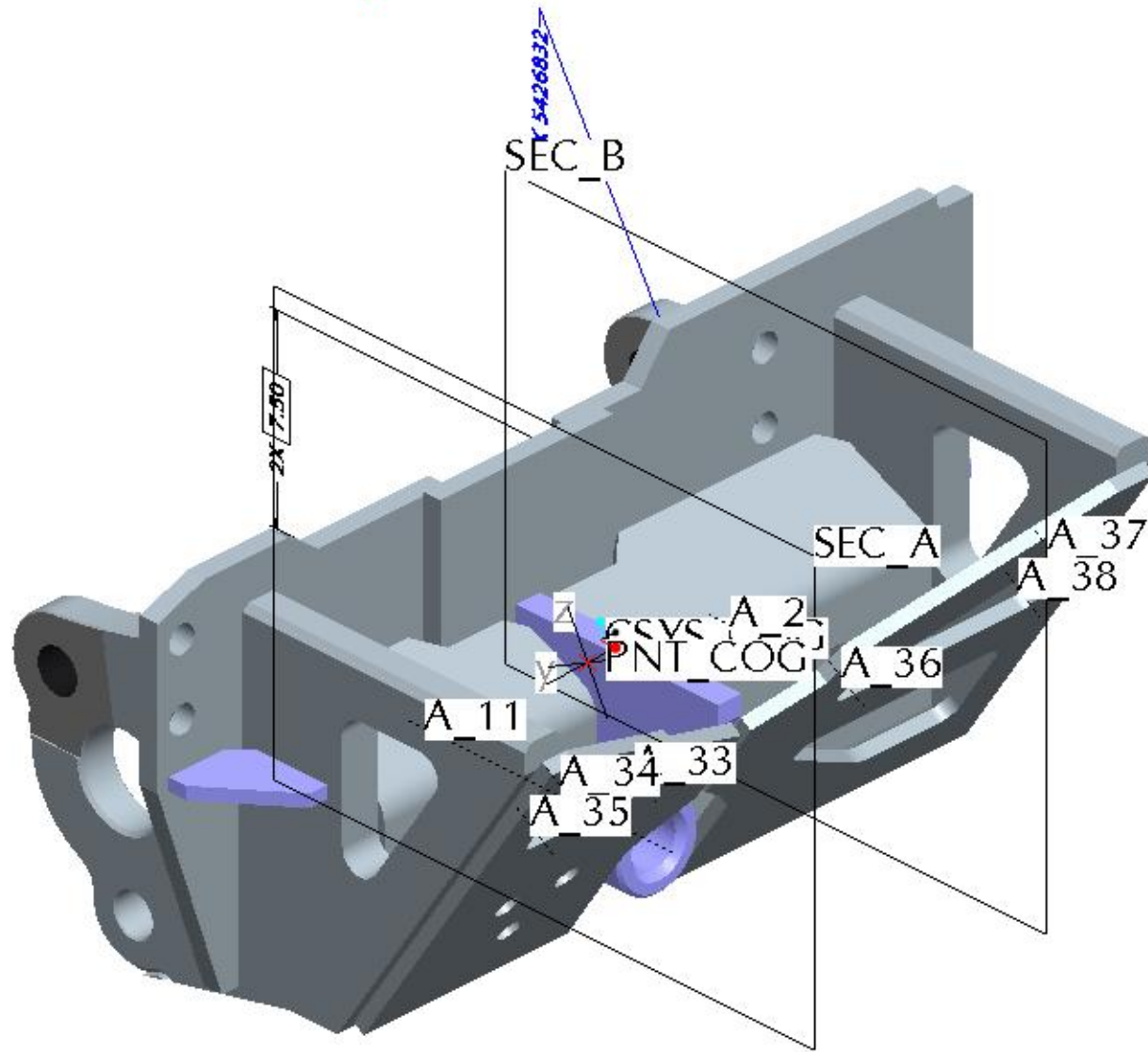
This Secure Supply Chain Collaboration Document was created by SuppliPack.



**I-Cubed**  bridging the enterprise

Integrated Industrial Information, Inc. 2009

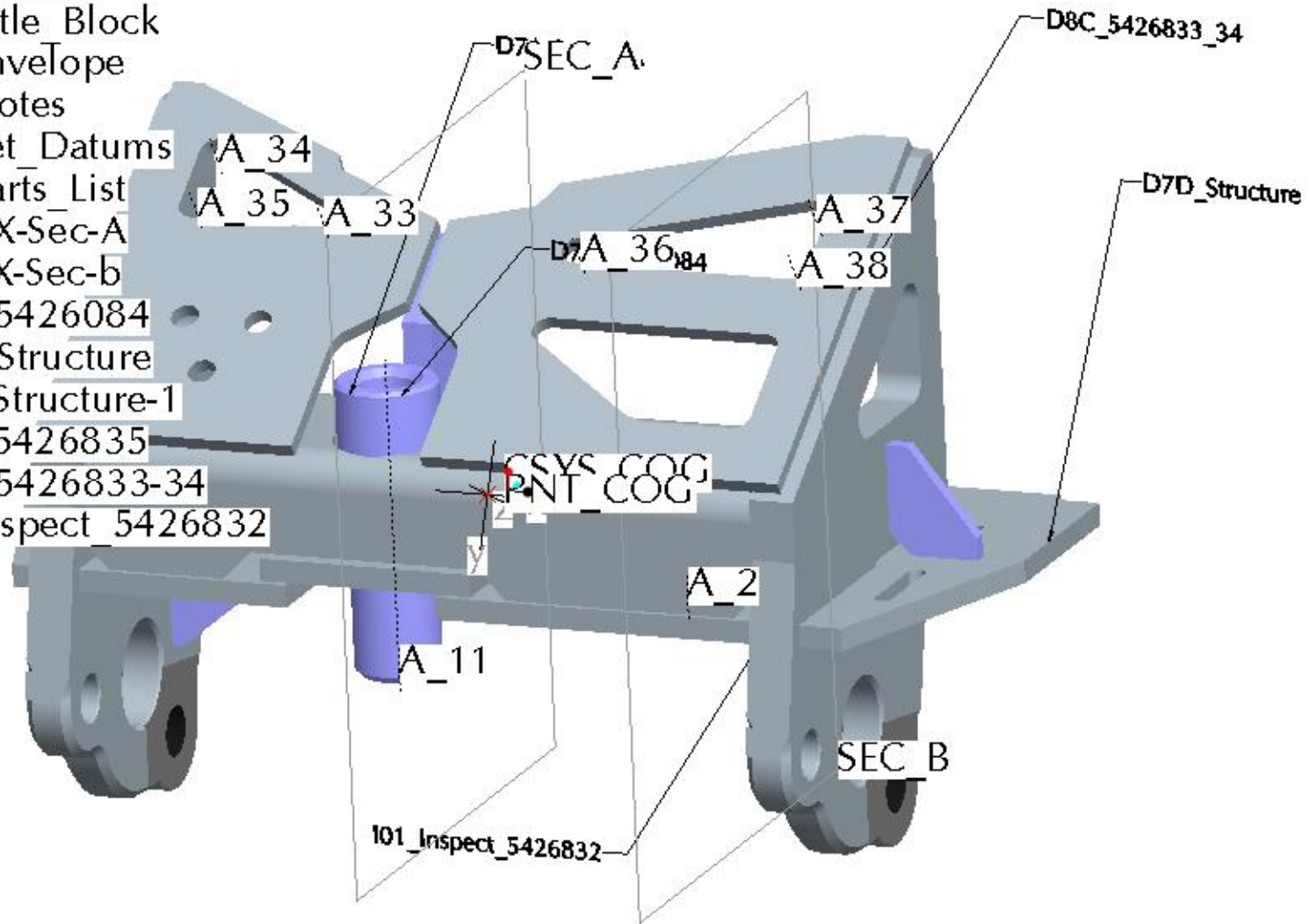
# ACME Corporation



Style State:DEFAULT STYLE  
On-Demand Simp Rep:DEFAULT REP

# ACME Corporation

- D0\_Site\_Map
- D1\_Notices
- D2\_Title\_Block
- D3\_Envelope
- D4\_Notes
- D5\_Set\_Datums
- D6\_Parts\_List
- D7A\_X-Sec-A
- D7B\_X-Sec-b
- D7C\_5426084
- D7D\_Structure
- D8A\_Structure-1
- D8B\_5426835
- D8C\_5426833-34
- I01\_Inspect\_5426832

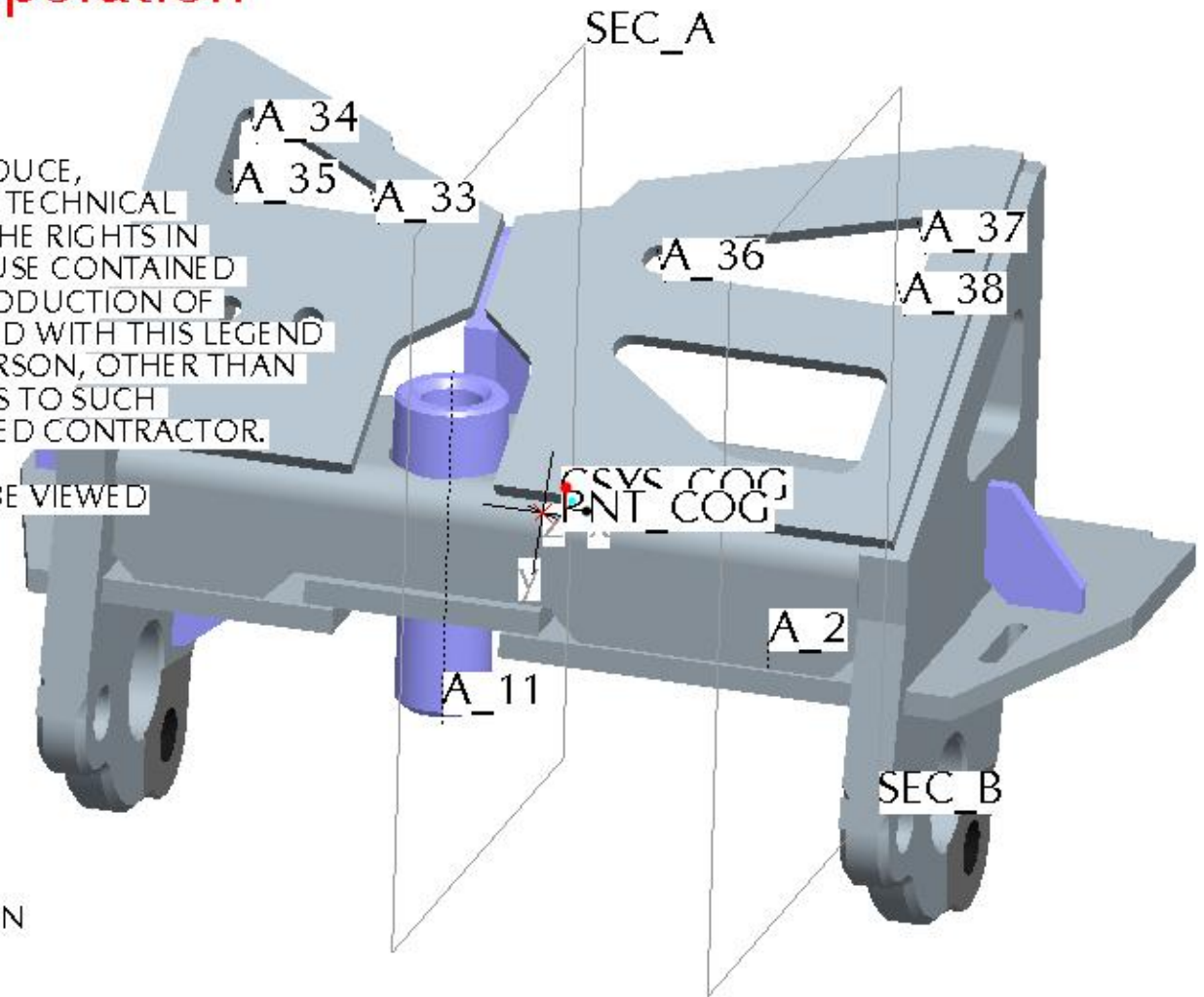


# ACME Corporation

LIMITED RIGHTS  
CONTRACT NO.  
CONTRACTOR NAME  
CONTRACTOR ADDRESS

THE JELLYFISH'S RIGHTS TO USE, MODIFY, REPRODUCE, RELEASE, PERFORM, DISPLAY, OR DISCLOSE THESE TECHNICAL DATA ARE RESTRICTED BY PARAGRAPH (B)(3) OF THE RIGHTS IN TECHNICAL DATA-NONCOMMERCIAL ITEMS CLAUSE CONTAINED IN THE ABOVE IDENTIFIED CONTRACT. ANY REPRODUCTION OF TECHNICAL DATA OR PORTIONS THEREOF MARKED WITH THIS LEGEND MUST ALSO REPRODUCE THE MARKINGS. ANY PERSON, OTHER THAN THE JELLYFISH, WHO HAS BEEN PROVIDED ACCESS TO SUCH DATA MUST PROMPTLY NOTIFY THE ABOVE NAMED CONTRACTOR.

DISTRIBUTION STATEMENT X: THIS MODEL CAN BE VIEWED BY ANYONE WITH A PRODUCTVIEW CLIENT



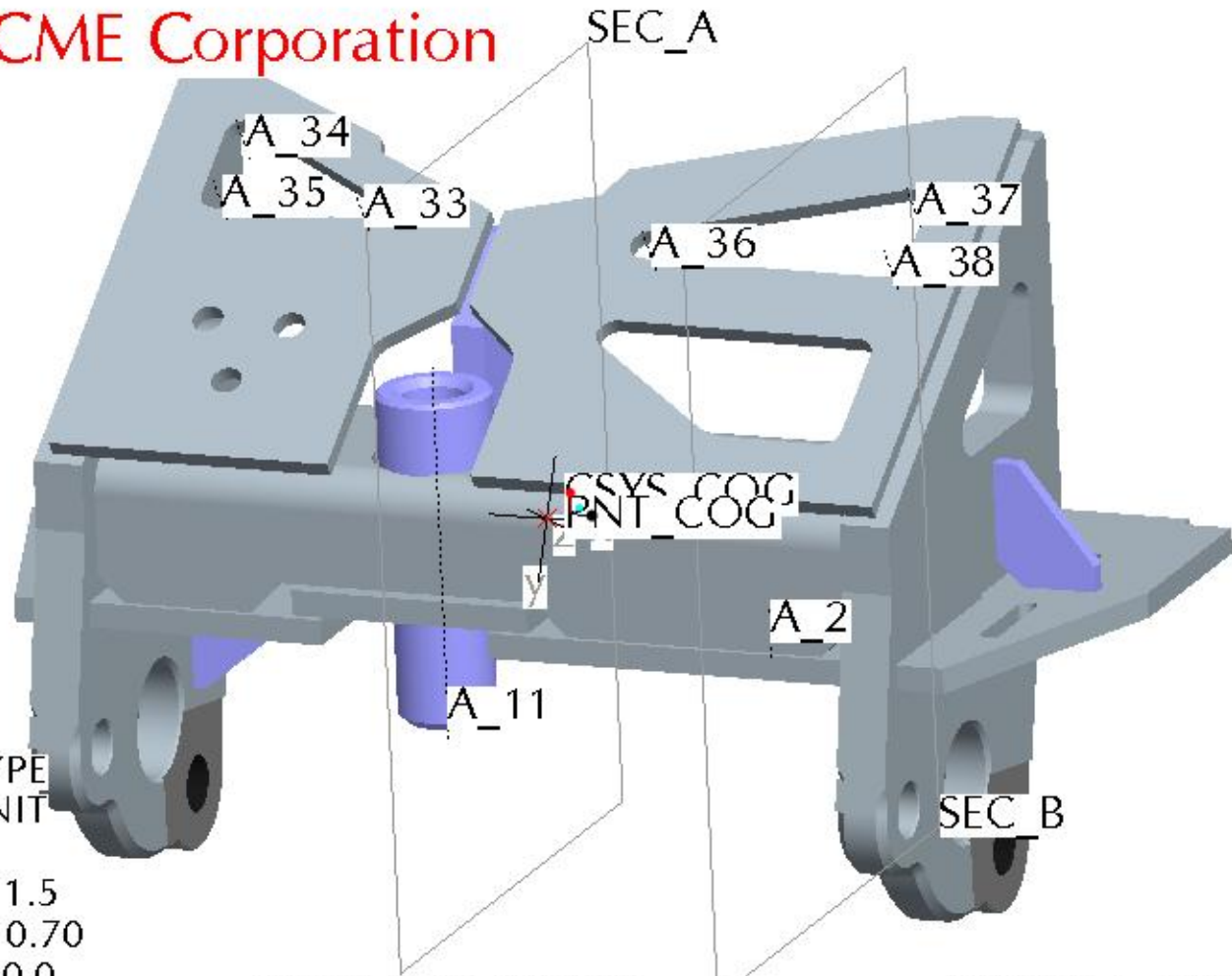
ACME CORPORATION PROPRIETARY INFORMATION  
SAMPLE NOTICE for DATA

This is where one would place legal notices and information regarding the file contents such as this file contains proprietary information and, except with written permission of ACME Corporation, such information shall not be published or disclosed to others, or used for any purpose in whole or in part

WARNING - THIS DOCUMENT CONTAINS TECHNICAL DATA WHOSE EXPORT IS RESTRICTED BY THE SMALL JELLY FILLED DONUTS LOCATED THROUGHOUT THE BUILDING.  
TITLE 20 SECTION 4A WITHIN THE BOX DEFINES SEVERE CRIMINAL PENALTIES.  
DISSEMINATE IN ACCORDANCE WITH PROVISIONS GOVERNED BY THE GOLDEN RULE.



# ACME Corporation



## BLOCK TOLERANCES:

Format: &FORMAT\_TYPE  
Units: &FORMAT\_UNIT

1 Place	X.X	+/- 1.5
2 Place	X.XX	+/- 0.70
Angles		+/- 0.0

## MATERIAL INFORMATION:

Material: &PTC\_MATERIAL\_NAME  
Finish: &FINISH  
Material Engineer: &MATL\_ENG\_NAME  
Eng Release Record: &ENG\_REL\_REC

## DESIGN SIGNATURES:

Designer: &DESIGNER\_NAME  
Eoval: &DES\_APPVL  
Date (yr-mo-day):  
Checker:  
Check Date:

## ACME PRODUCTS

Part Number: 5426939  
Revision: &REV  
Description: &PRT\_DESC  
Common Name:  
Cage Code: 90254  
Contract Number: 310-66247-17

# ACME Corporation

## MASS PROPERTIES & CENTER OF GRAVITY

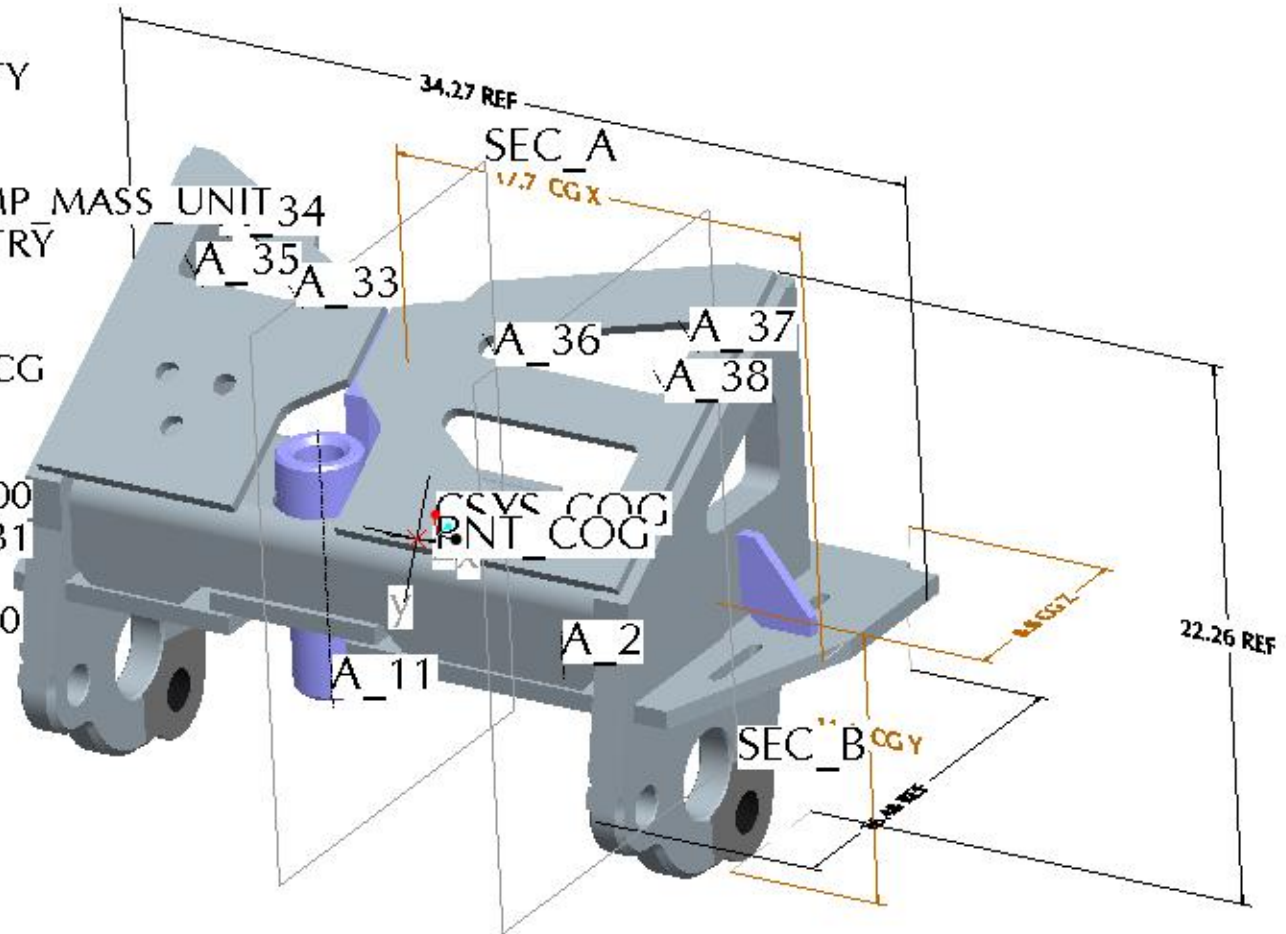
Mass: 223.947

Mass Unit: &PRO\_MP\_MASS UNIT34

Source: GEOMETRY

## Inertia Tensor about the CG

IXX = 337284.460  
IYY = 15572999.600  
IZZ = 15269691.731  
  
IXZ = -2200447.850  
IYZ = -531.090  
IXY = -3895.676

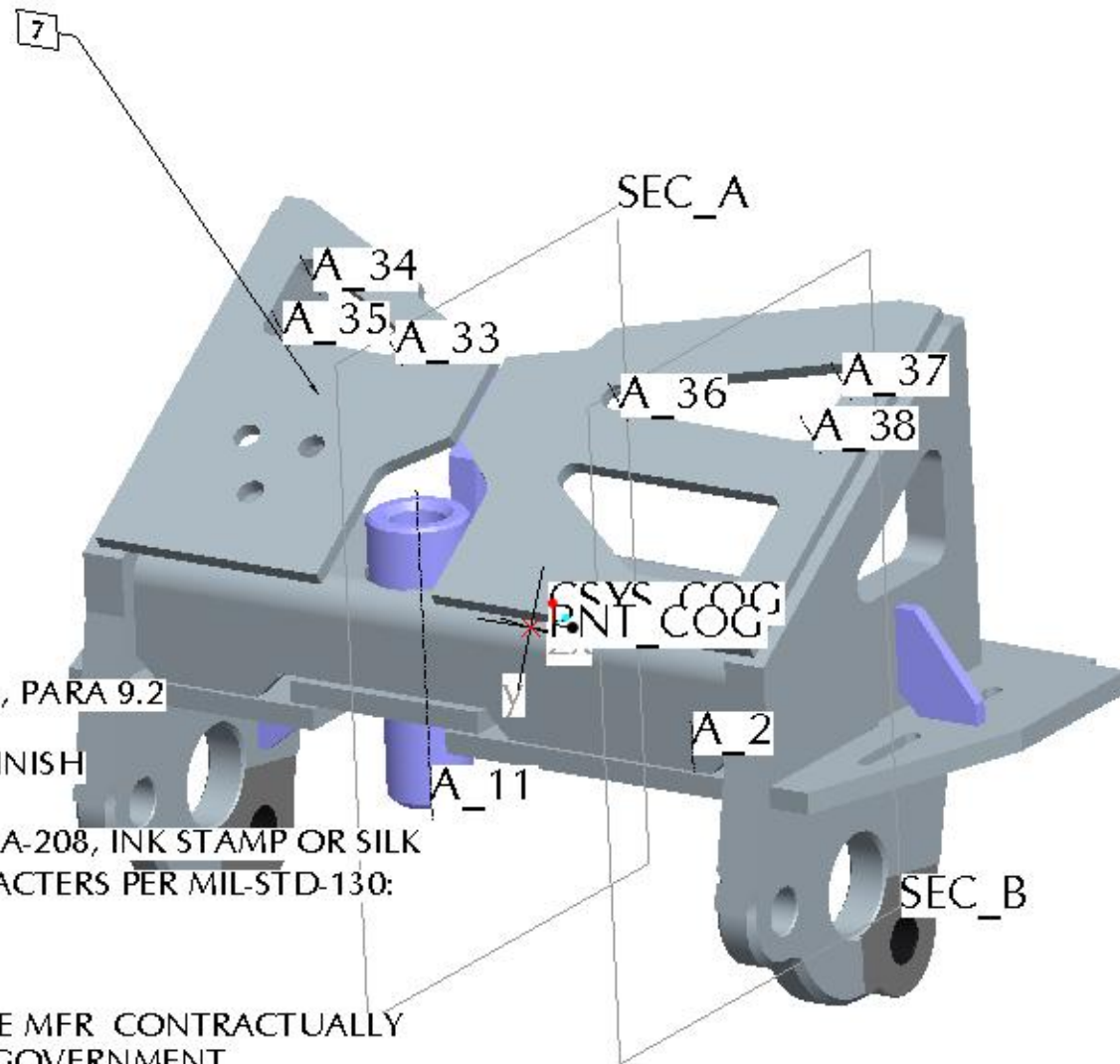


# ACME Corporation

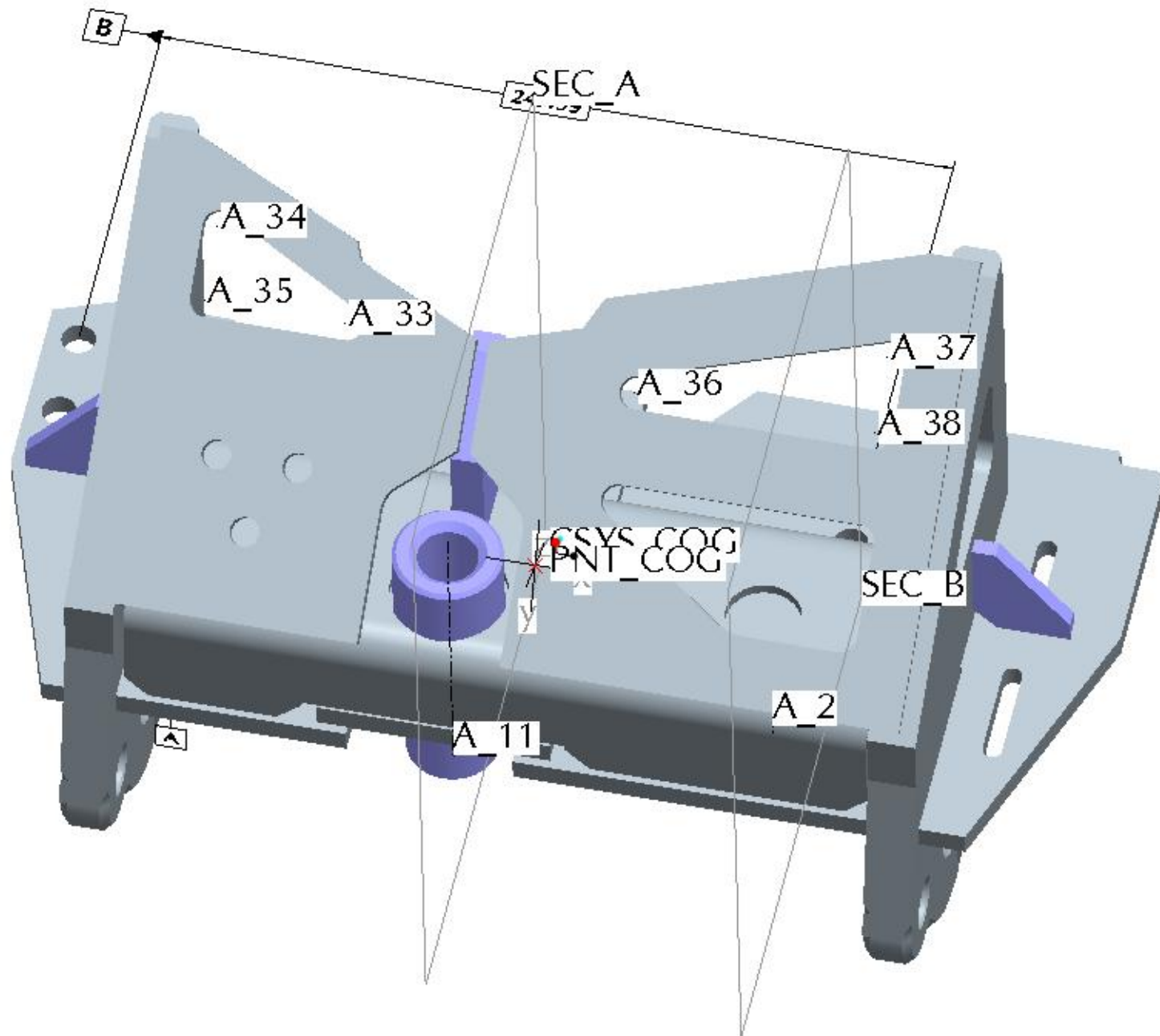
## NOTES:

1. APPLICABLE STANDARDS/SPECIFICATIONS:
  - A. ASME Y14.100 - 2004
  - B. ASME Y14.5M - 1994
  - C. ASME Y14.41 - 2003
  - D. THREADS SHALL CONFORM TO ASME B1.1
2. MATERIAL:  
STEEL, HIGH YIELD STRENGTH, .375 THK  
QUENCH AND TEMPER, (T-1), SPEC ASTM A514
3. EXCEPT AS NOTED:
  - A. EDGE BREAKS .005 - .030
  - B. FILLETS R.005 - .030
4. UNLESS OTHERWISE SPECIFIED, A FEATURE SHOWN PERPENDICULAR TO ANOTHER FEATURE SHALL BE PERPENDICULAR WITHIN THE ZONE ESTABLISHED BY THE FEATURES ENVELOPE TOLERANCE.
5. PROTECTIVE FINISH PER ACME SPEC 90266-8375143, PARA 9.2
6. DIMENSIONAL LIMITS APPLY BEFORE PROTECTIVE FINISH
7. USING NON-ACID BASE BLACK INK, TYPE 1, SPEC A-A-208, INK STAMP OR SILK SCREEN ON THIS SURFACE IN .09 - .50 HIGH CHARACTERS PER MIL-STD-130:  
19207-4286831  
MFR-XXXXX (CAGE CODE - SEE NOTE)

NOTE: THE MFR CAGE CODE SHALL BE THAT OF THE MFR CONTRACTUALLY RESPONSIBLE FOR FURNISHING THIS ITEM TO THE GOVERNMENT

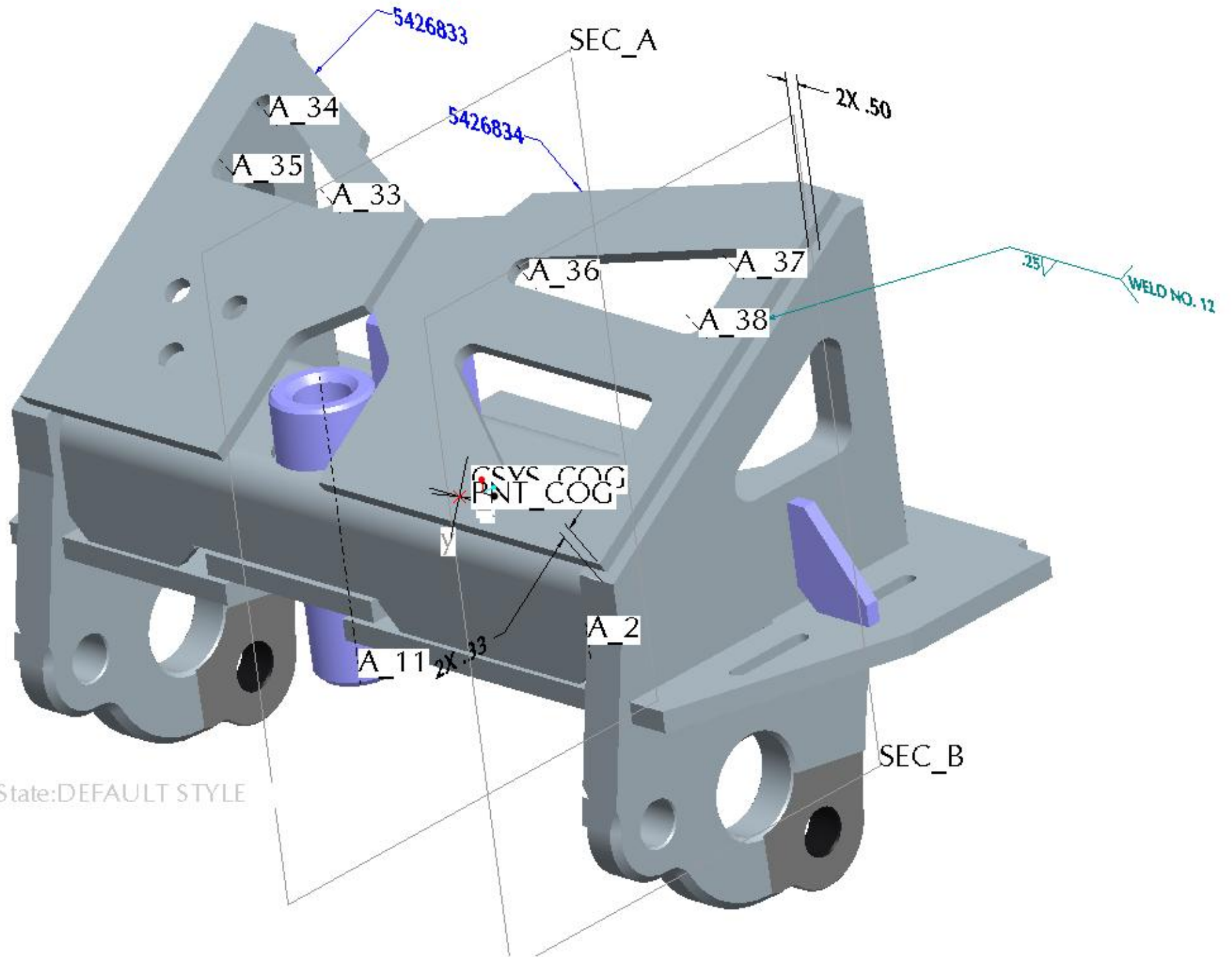


# ACME Corporation



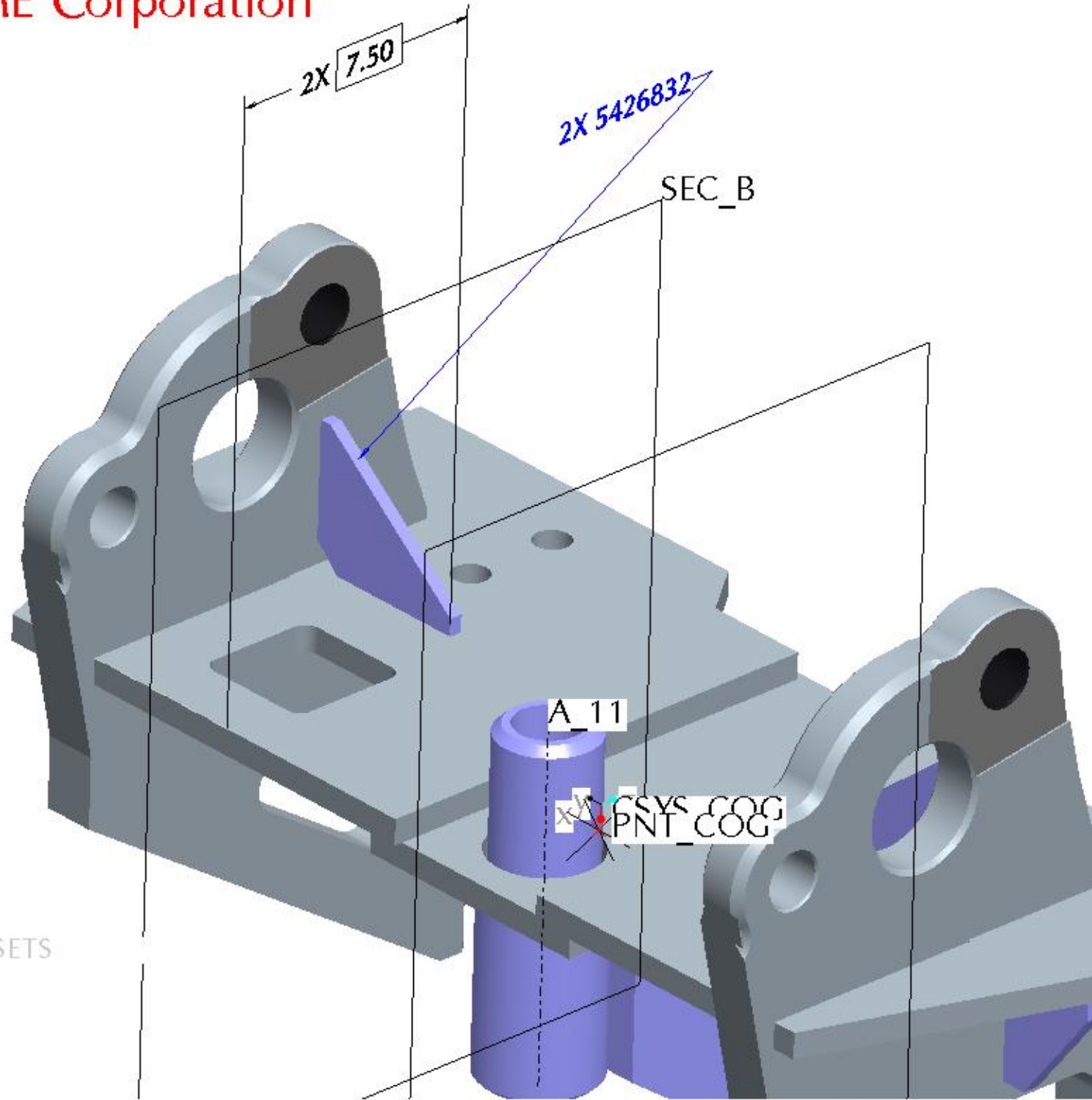


# ACME Corporation



Style State:DEFAULT STYLE

# ACME Corporation



Style State:DEFAULT STYLE  
On-Demand Simp Rep:D7C\_GUSSETS